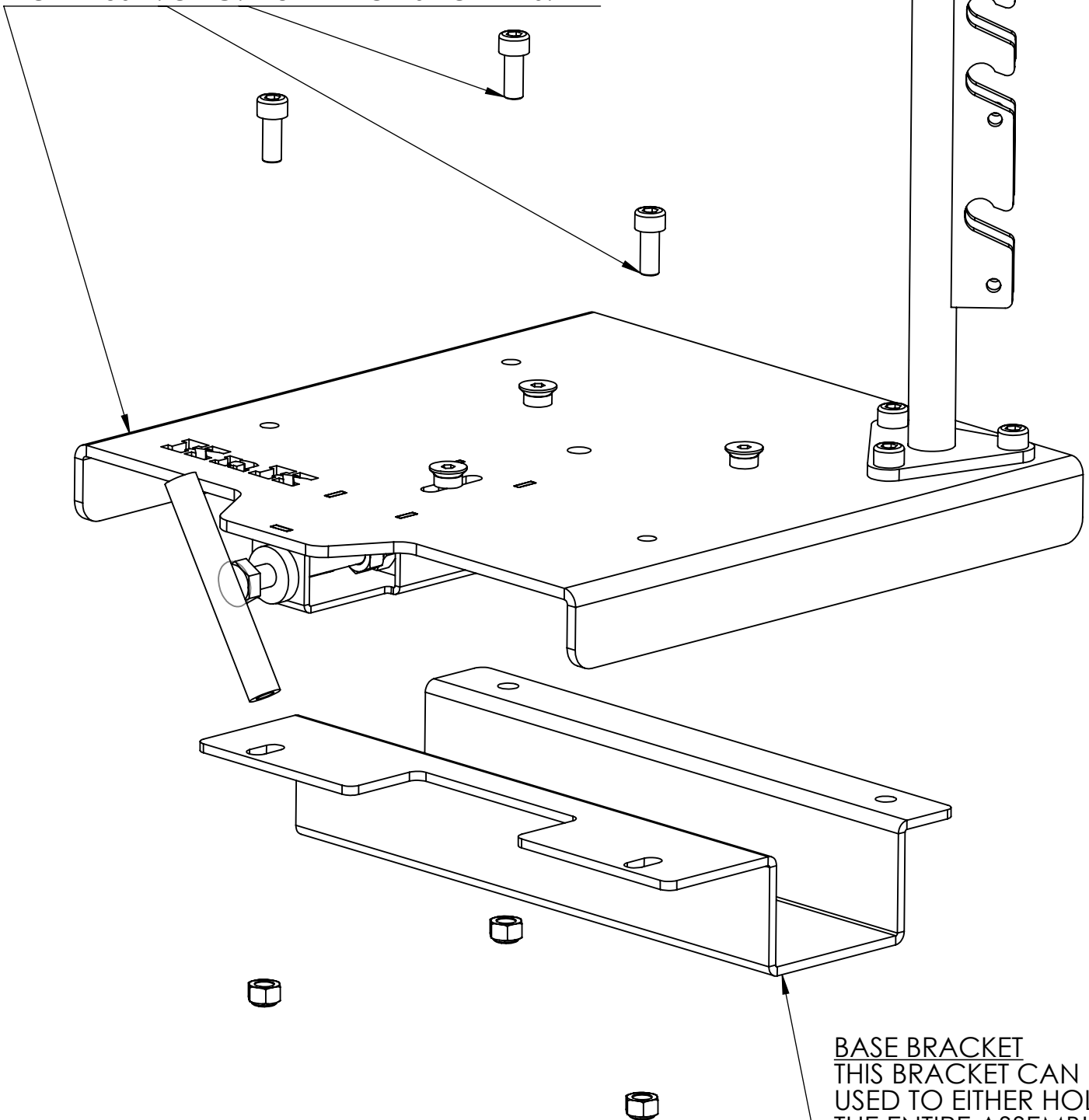


FOR MOUNTING DIRECTLY ON A TABLE TOP,
REMOVE THE BASE BRACKET AND MOUNT THIS
PLATE STRAIGHT ONTO A TABLE BY DRILLING
HOLES IN THE TABLE.
NOTE - USE LONGER 8mm BOLTS FOR THIS.



BASE BRACKET
THIS BRACKET CAN BE
USED TO EITHER HOLD
THE ENTIRE ASSEMBLY
IN A VICE, OR CAN BE
WELDED TO A STEEL
FRAME OR STRUCTURE

KnK TYRE MATE - MOUNTING

THIS IS THE PROPERTY OF KARTS 'N' KITCARS Pvt. Ltd.
ANY FORM OF DUPLICATION / COPYING IS NOT PERMITTED
WITHOUT THE PRIOR CONSENT OF KARTS 'N' KITCARS Pvt. Ltd.